

# KK-BL series | Bench Scale



TOTAL WEIGHING SOLUTION™

Crane series

...Clearly a Better Value



Warranty - Two Years



Designed for dependability and durability at a practical price!



**A Multifunction Scale  
that doesn't just weigh!**

## Micro Weighing Scale

- High Accuracy
- Total 8 Units available (g, ct, lb, oz, GN, ozt, dwt, tl)
- Counting, Weighing, Percentage Function Modes
- Auto Blue Backlight (80hrs continuous use)
- RS-232 Serial Interface (PC, Printer)
- Wind Shield Included



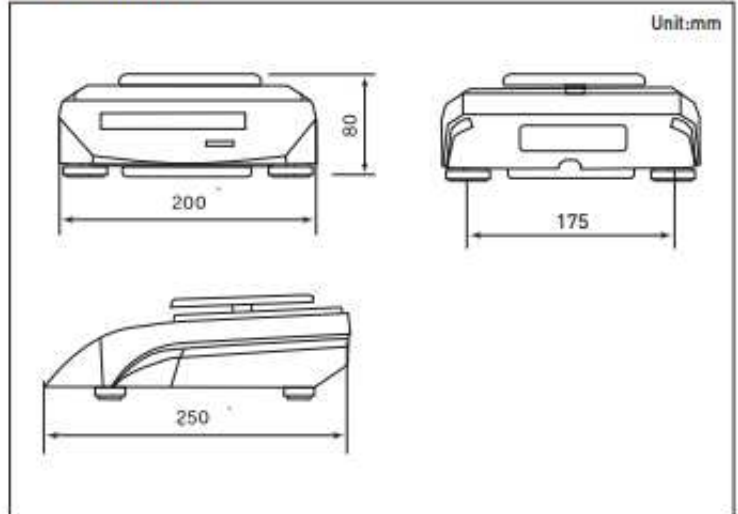
**STAINLESS STEEL WASHDOWN SCALES**



## SPECIFICATIONS

Model										
Max. Capacity (g)	150	300	600	1500	3000	300	600	1200	3000	
Readability (g)	0.005	0.01	0.02	0.05	0.1	0.005	0.01	0.02	0.05	
External Resolution	1/30,000 - 1/60,000									
Display Digit	6 Digits (Weight)									
Display Type	LCD with Backlight									
Operating Temp.	0°C-40°C									
Power	AC Adapter 12V, DC/500mA, Internal rechargeable lead acid batter									
Platter Size	ø116 mm					144mm(W) x 124mm(D)				
Dimensions	200mm(W) x 250mm(D) x 80mm(H)									
Product Weight	1.3 kg					1.4 kg				

## DIMENSIONS



## FEATURES

- High Accuracy
- Total 8 Units Available  
(g, ct, lb, oz, GN, ozt, dwt, tl)
- Counting, Weighing, Percentage Function Modes
- Auto Blue Backlight (80hrs Continuous Use)
- Built-in Rechargeable Battery
- RS-232 Serial Interface (PC, Printer)
- Wind Shield Included
- Overload Alarm Function
- Auto Power Off Function
- Auto Span Calibration & Auto Zero Tracking

## OPTIONS

- USB Interface
- Auxiliary LCD Display



...Clearly a Better Value

Panasonic Kenko Electric Co, Ltd  
36 Sisenju, Okio, Osaka 234-23354 Japan

Tel. 81-32-565434667

Specifications subject to change without notice

